

Interface Orange Pi Zéro Plus SPOTNIK - DELTA Plus © 2017-20120 F1EVM - F5NLG

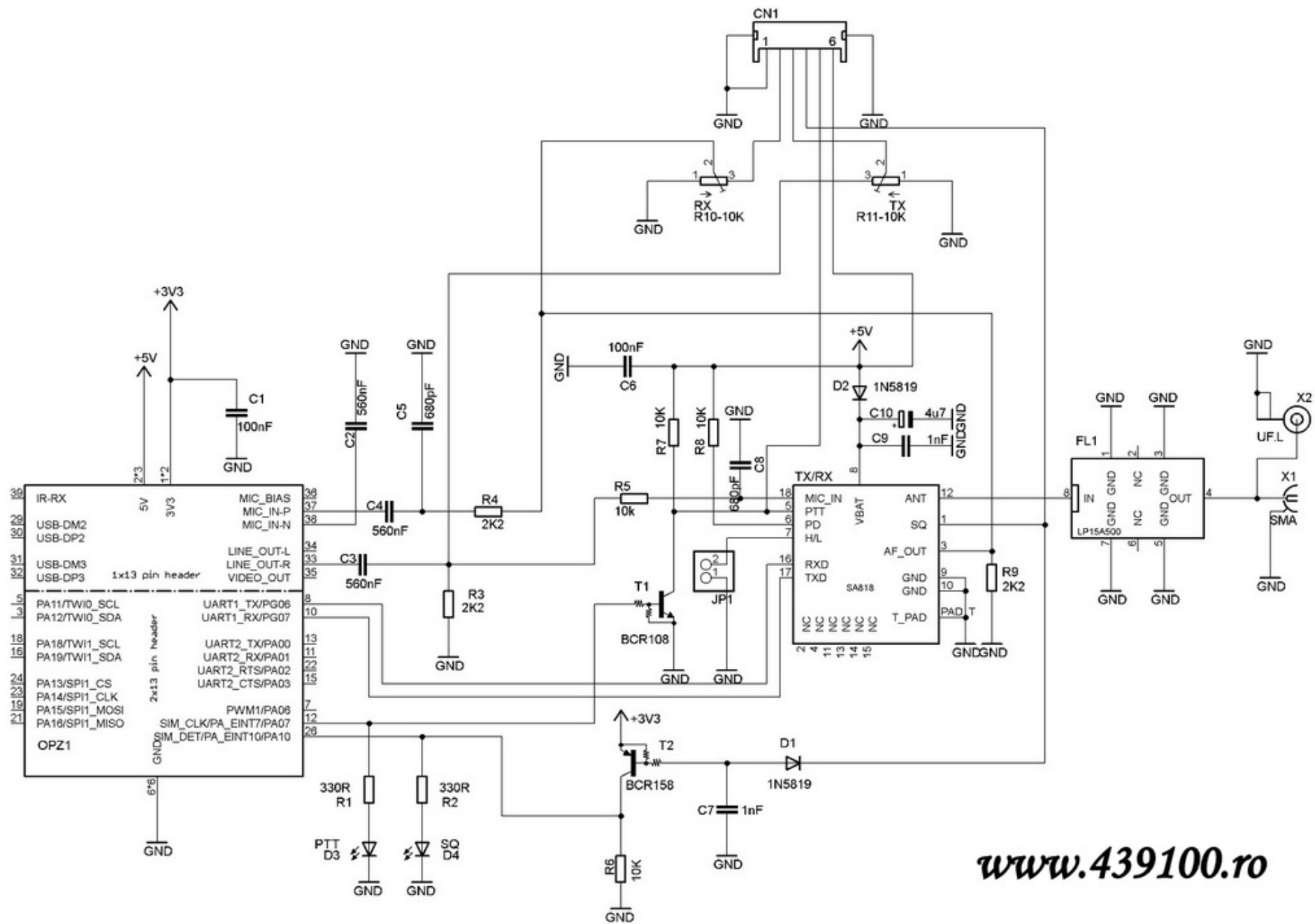
TITLE: Interface Spotnik Delta Plus

Document Number: SPOTNIK-DELTA-PLUS

REV:
2.0

Date: 23 January 2020

Sheet: 1/1



www.439100.ro

Wersja schematu ROLink

